

# CRAWLER STAIR CLIMBER

## CT250SA

| Intelligent Control Balance | Efficient and Fast Delivery | One Touch Easy Operation |



# EASY AND EFFICIENT DISTRIBUTION ASSISTANT

## Intelligent Self-Balancing

Autonomous MengChong technology system,  
It is built-in gyroscope precise sensor,  
Self-balancing when going up and down stairs,  
**The center of gravity of the goods is always stable.**



## Different Modes, One Click to Change

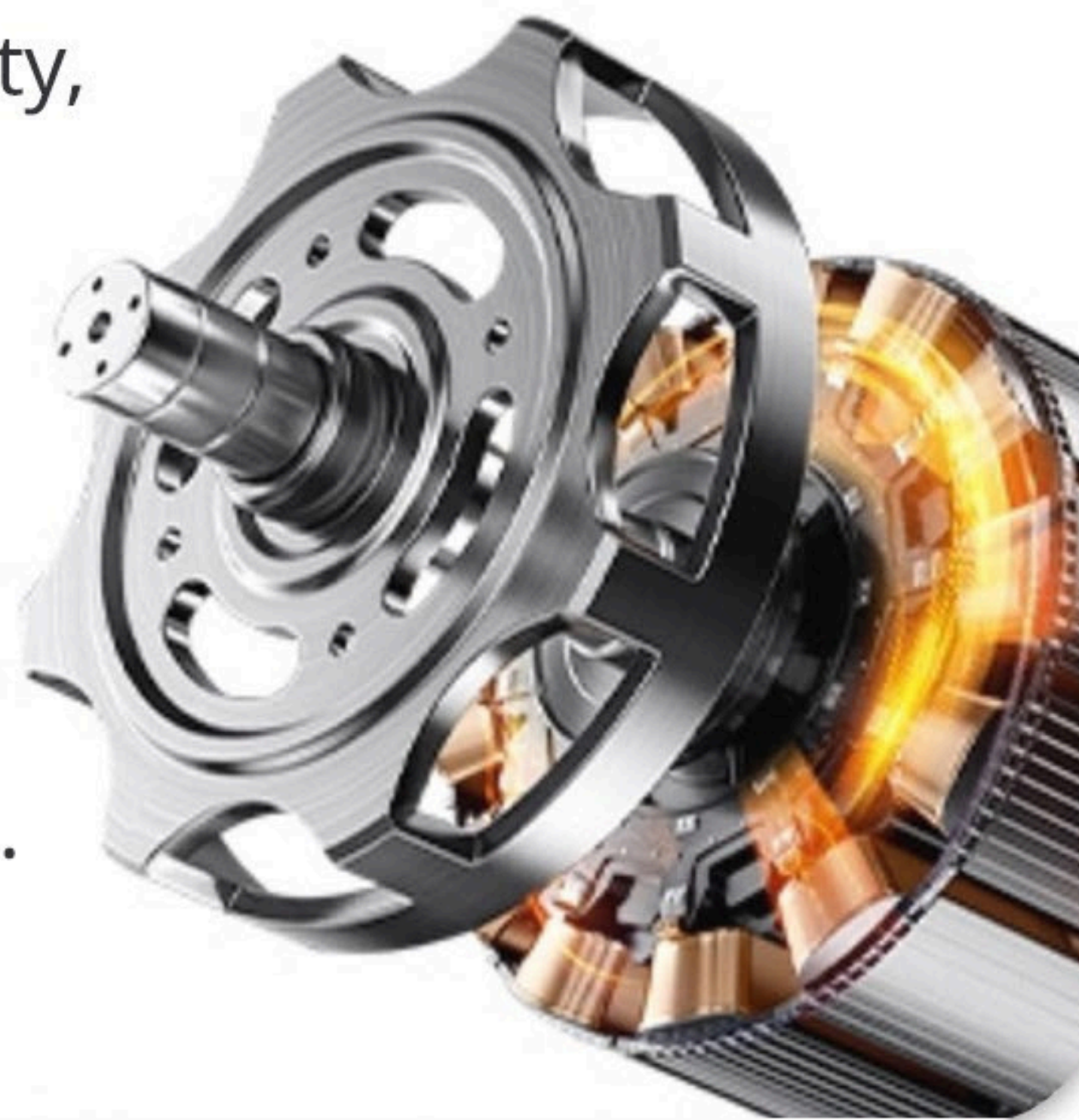
Simple button design, **quick** switch modes in one second, flexible movement on stairs and flat ground.



## Strong Drive and Efficient Delivery

200KG of super-strong load capacity,  
**43~53 steps per minute**,  
delivering food and carrying goods to save time and energy.

Built in 400W brushless direct current motor,  
sufficient power and stable output.



**Point Touch Switch ,  
Stop and Go  
Wherever You Like**



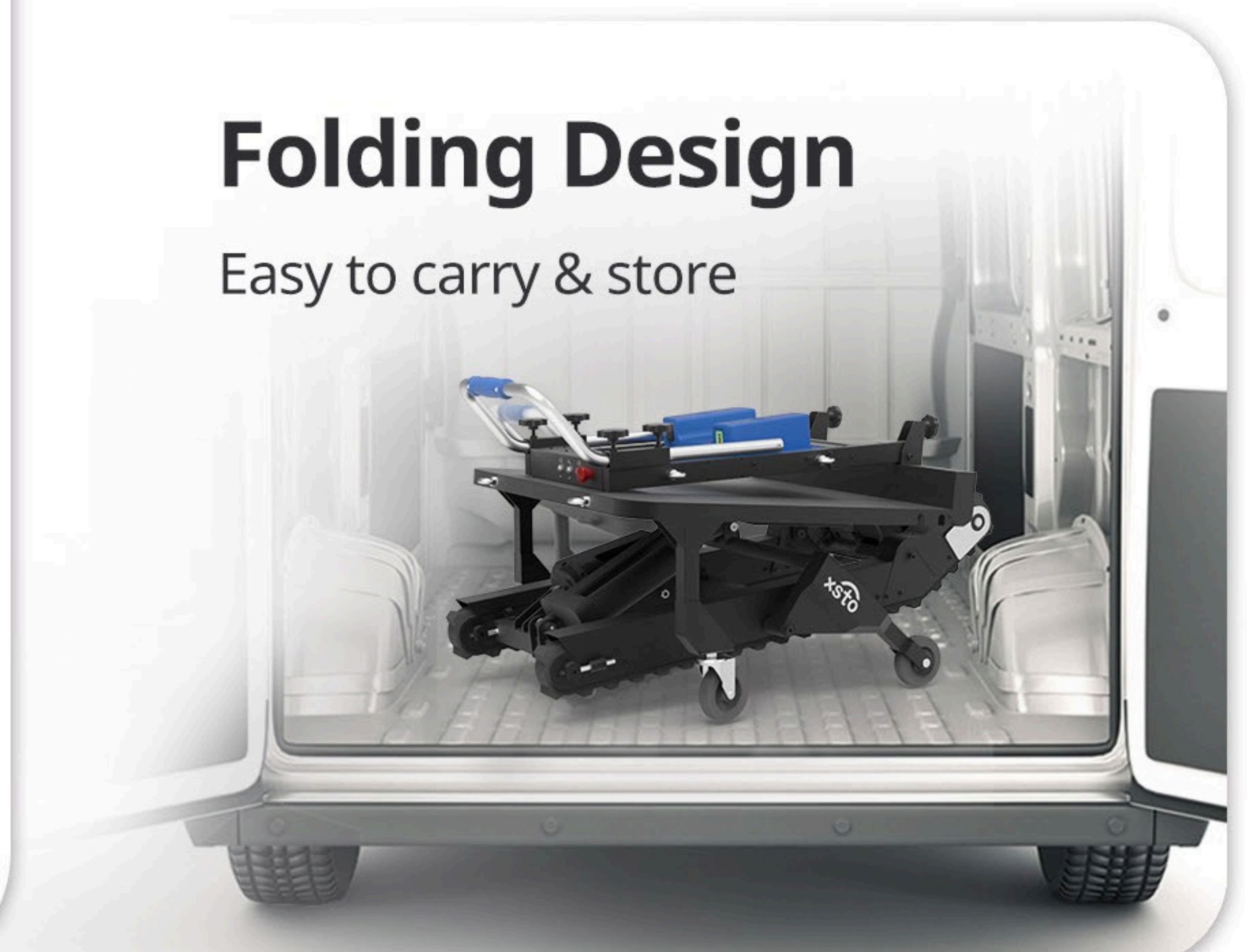
## Safe Protection

Support wheel assisted transitions,  
Smooth automatic landing,  
Securing access to the last staircase.



## Folding Design

Easy to carry & store



# TECHNICAL PARAMETER

Maximum Capacity

250kg

Item Weight

75kg

Upstairs Speed

43 Steps/min

Battery Capacity

1136 Steps

Downstairs Speed

53 Steps/min

Motor Parameter

48V 500W

Step Height

&lt;210mm

Step Angle

25°~33°

Loading Plate Dimension

700x706mm

Mini Turning Platform

1300\*1300mm

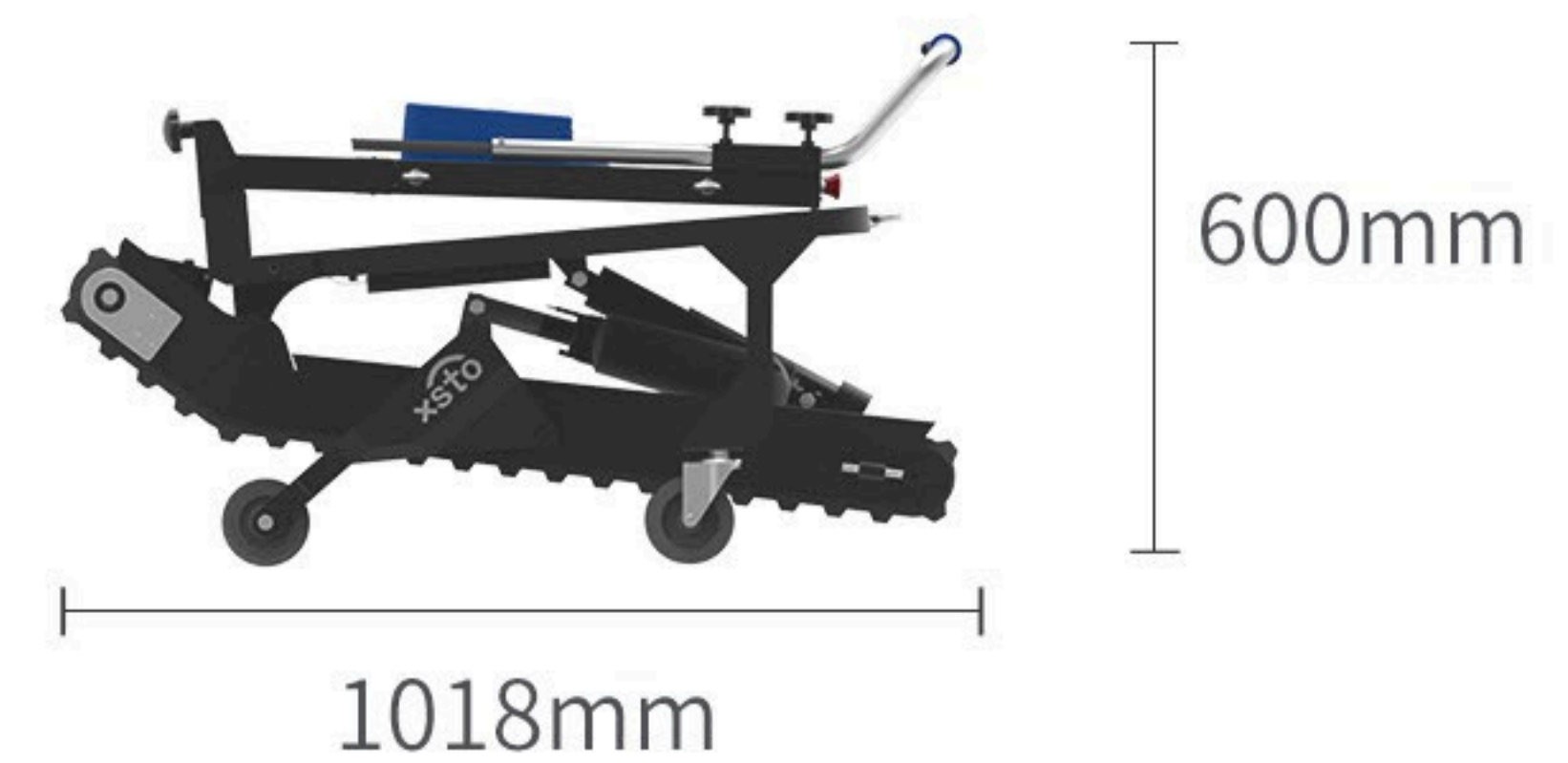
Noise Level

&lt;70dB

Protection Grade

IP33

## Size



# ACCESSORIES



## Lithium Battery

Battery Capacity: 48V 10AH

Battery Weight: 3.2KG



## Strap

Size: 2.5CM\*5M

Adjustable Strap Buckle



## Charger

Input: 100V-240V

Output: 54.6V 4A

# APPLICATION SCENARIOS



*Ease Your Way  
To Anywhere*

